

**Part Number: PT278-35060**

**Kit Contents**

Item #	Quantity Reqd.	Description
1	1	Roof Rack
2	4	Hardware Bag

**Hardware Bag Contents**

Item #	Quantity Reqd.	Description
1	12	Screw, M8x43mm, Wafer Head
2	12	Fiber Washers
3	12	Mastic Washers
4	1	Installation Instruction Sheets
5	1	Operator Caution Card

**Additional Items Required For Installation**

Item #	Quantity Reqd.	Description
1		
2		
3		

**Conflicts**

--

**Recommended Tools**

<b>Personal &amp; Vehicle Protection</b>	<b>Notes</b>
Safety Goggles	
Vehicle Protection	
Wrist & Belt Buckle Protectors	
<b>Special Tools</b>	<b>Notes</b>
<b>Installation Tools</b>	<b>Notes</b>
T40 Torx Driver (Hardened)	i.e.: WihaTools.com, Snap-on, Mac...
Torque Wrench	0-160 lbf-in
10mm Socket	
Ratchet	
3" Extension	
Nylon Panel Removal Tool	i.e.: Panel Pry Tool #1 Toyota SST#00002-06001-01
<b>Special Chemicals</b>	<b>Notes</b>

**NOTE:** Part number of this accessory may not be the same as the part number shown.

**General Applicability**

All
-----

**Recommended Sequence of Application**





Item #	Accessory
1	Roof Rack – Can be installed in any sequence with other accessories.

\*Mandatory

**Vehicle Service Parts** (may be required for reassembly)

Item #	Quantity Reqd.	Description
1		
2		
3		

**Legend**

	<b>STOP:</b> Damage to the vehicle may occur. Do not proceed until process has been complied with.
	<b>OPERATOR SAFETY:</b> Use caution to avoid risk of injury.
	<b>CAUTION:</b> A process that must be carefully observed in order to reduce the risk of damage to the accessory/vehicle and to ensure a quality installation.
	<b>TOOLS &amp; EQUIPMENT:</b> Used in Figures calls out the specific tools and equipment recommended for this process.

**Section II – Installation Procedure**

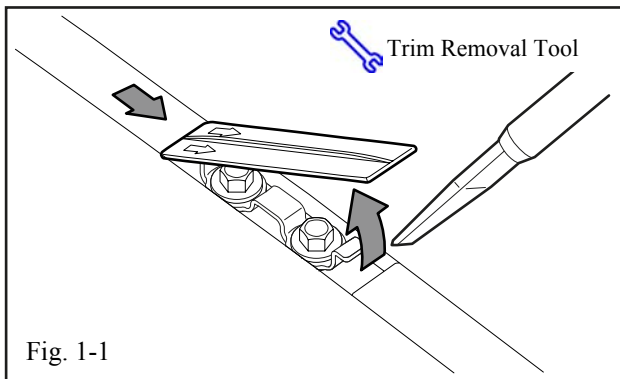
Care must be taken when installing this accessory to ensure damage does not occur to the vehicle. The installation of this accessory should follow approved guidelines to ensure a quality installation.

These guidelines can be found in the "Accessory Installation Practices" document.

This document covers such items as:-

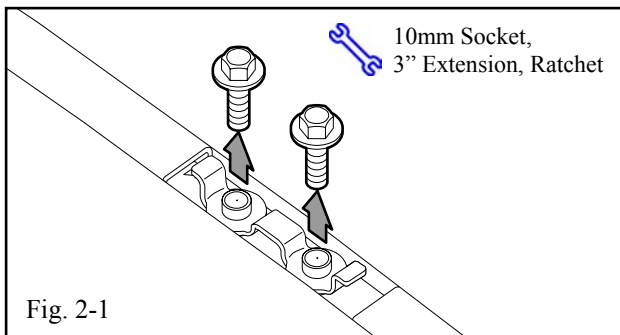
- Vehicle Protection (use of covers and blankets, cleaning chemicals, etc.).
- Safety (eye protection, rechecking torque procedure, etc.).
- Vehicle Disassembly/Reassembly (panel removal, part storage, etc.).
- Electrical Component Disassembly/Reassembly (battery disconnection, connector removal, etc.).

Please see your Toyota dealer for a copy of this document.



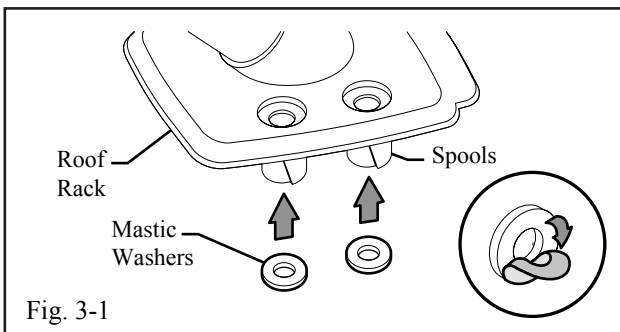
**1. Remove Access Covers. (6 locations)**

- ⚠ (a) Push on end with the arrows in the direction of the arrows.
- (b) Lift up on the opposite end while pushing the arrow end. (Fig. 1-1) Use trim removal tool as needed to pry cover up.



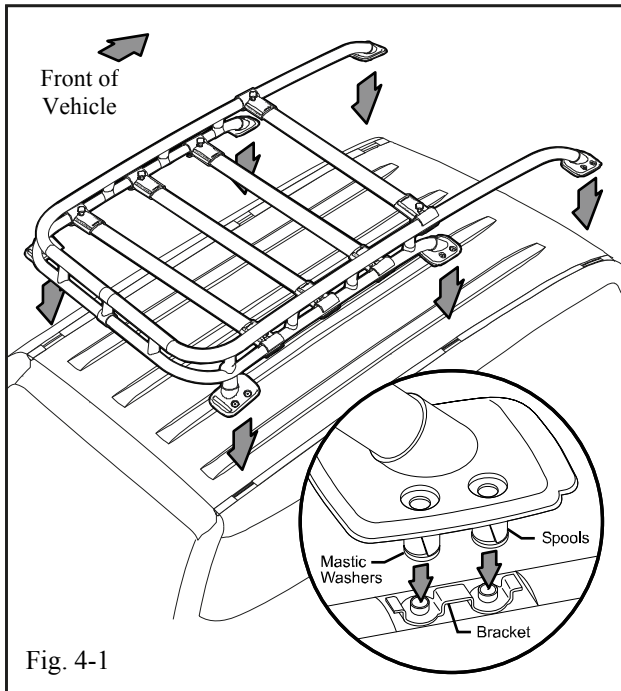
**2. Remove Bolts.**

- ⚠ (a) Remove 12 Bolts. (6 each side) (Fig. 2-1)



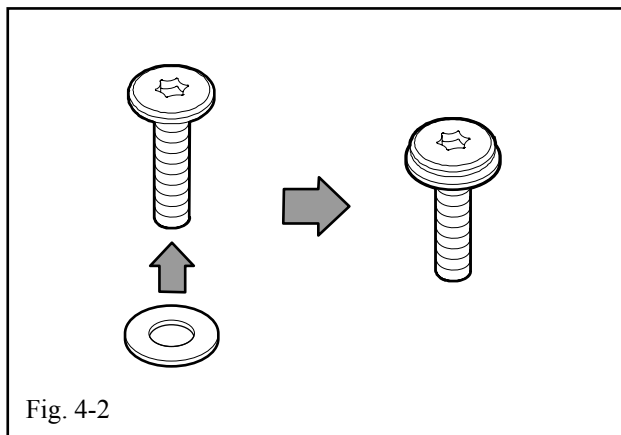
**3. Install Mastic Washers.**

- ⚠ (a) Remove adhesive backing and place mastic washers onto the bottom surface of mounting posts (spools) prior to installing to roof. (12 required) (Fig. 3-1)

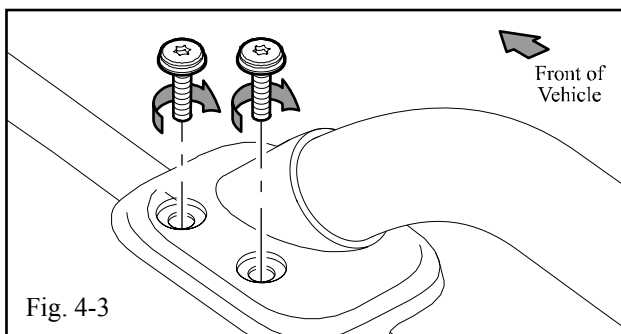


**4. Install Roof Rack.**

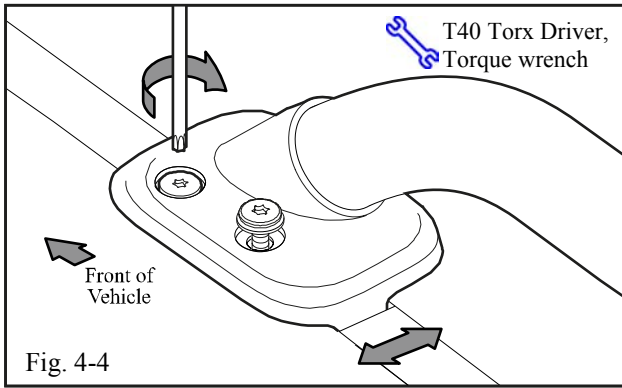
- ⚠ (a) Using two people, carefully place the roof rack in position on the vehicle as shown. (Fig. 4-1)





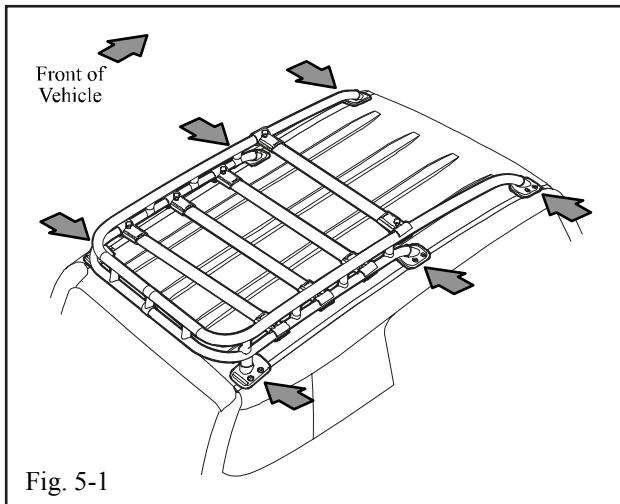
- ⚠ (b) Insert M8 wafer head screws into fiber washers. (12 required) (Fig. 4-2)




- ⚠ (c) Hand start M8 wafer head screws at all 12 locations. (Fig. 4-3)



-  (d) Adjust end support fit to roof ditch mold.
-  (e) Starting with the center supports, tighten and torque M8 wafer head screws to 18.0 N-m (160 lbf-in). Next, tighten and torque the front supports. Finally, tighten and torque the rear supports, starting with the forward most screw first. (12 required) (Fig. 4-4)



### 5. Verify Support Installation.

- (a) Verify all supports are snug and properly fitted to roof ditch mold. (Fig. 5-1)
-  (b) Place the Caution Card with the owners manual in the vehicle glove box.

Checklist - these points **MUST** be checked to ensure a quality installation.

<u>Check:</u>	<u>Look For:</u>
<p><u>Accessory Function Checks</u></p> <ul style="list-style-type: none"><li><input type="checkbox"/> Crossbar should be securely locked into rails for shipment.</li><li><input type="checkbox"/> Gap between roof rack side rail pads and vehicle roof surface.</li></ul>	<p>Ensure crossbars are secure. Tighten if necessary.</p> <p>Not greater than 1.5 mm</p>
<p><u>Vehicle Function Checks</u></p> <ul style="list-style-type: none"><li><input type="checkbox"/> None Required</li></ul>	